

Model 3721

42 W max out • 90-264 VAC input

- Universal input voltage (90-264VAC)
- Fixed output voltages
- Short circuit proof
- ECO-design compliance:

CoC Tier 2, DoE level VI, CEC, MEPS

- Approvals:

- Medically certified

Safety: EN 60601-1 ed. 3.1

EMC: EN 60601-1-2 ed. 4

- UL approved

- Custom specifications on request:

output voltage, connectors, cords, logo print, housing/open frame/IP rating and certificates. For more information: [custom design info sheet](#)

Blueline



Available versions

- 5V / 5A
- 6V / 4,16A
- 7,5V / 3,33A
- 9V / 4,67A
- 12V / 3,5A
- 15V / 2,8A
- 18V / 2,33A
- 24V / 1,75A

Notes:

Plug-in/desktop unit

Exchangeable AC and DC plugs

Order plugs and mains cord separately

SPECIFICATIONS FOR TYPE 3721:	5V	6V	7.5V	9V	12V	15V	18V	24V
Input voltage:	90-264VAC	90-264VAC	90-264VAC	90-264VAC	90-264VAC	90-264VAC	90-264VAC	90-264VAC
Line frequency:	47 - 63Hz	47 - 63Hz	47 - 63Hz	47 - 63Hz	47 - 63Hz	47 - 63Hz	47 - 63Hz	47 - 63Hz
Output voltage:	5V±2.5%	6V±2.5%	7.5V ± 2.5%	9V ± 2.5%	12V ± 2.5%	15V ± 2.5%	18V ± 2.5%	24V ± 2.5%
Max output power:	25W	25W	25W	42W	42W	42W	42W	42W
Min. output current:	0A	0A	0A	0A	0A	0A	0A	0A
Max. output current:	5A	4.16 A	3.33A	4.667A	3.5A	2.8A	2.33A	1.75A
Load regulation (0 - 100% load. Measured on pcb):	< 1%	< 1%	< 1%	< 1%	< 1%	< 1%	< 1%	< 1%
Mains regulation: (Mains var.: 90-264V, 100% load)	< 0,5%	< 0,5%	< 0,5%	< 0,5%	< 0,5%	< 0,5%	< 0,5%	< 0,5%
Ripple & Niose:	< 130mV p-p	< 130mV p-p	< 130mV p-p	< 200mV p-p	< 130mV p-p	< 200mV p-p	< 200mV p-p	< 130mV p-p
Efficiency (at 100% load, 230V) approx.:	86%	87%	87%	89%	89%	89%	89%	89%
Switch frequency approx.:	65~95kHz	65~95kHz	65~95kHz	65~95kHz	65~95kHz	65~95kHz	65~95kHz	65~95kHz
Overshoot (90 - 10% load variation):	< 200mV	< 200mV	< 200mV	< 200mV	< 200mV	< 200mV	< 200mV	< 200mV
Undershoot (10 - 90% load variation): Measured on pcb	< 350mV	< 350mV	< 350mV	< 500mV	< 350mV	< 500mV	< 400mV	< 400mV
Hold up time:(at 90Vac)	>8ms	>8ms	>8ms	>8ms	>8ms	>6ms	>6ms	>6ms
Temperature range: *Operating: *With derating: *Storage:	-20 to +40°C +60°C -25 to +85°C							
Derating:	1W/°C over 40°C							
Safety:	EN/IEC/ANSI 60601-1 3ed							
Insulation class :	Class II							
Insulation voltage: Primary – secondary:	4000VAC / 5700VDC							
EMC standards:	EMC med. EN 60601-1-2 / Emission EN 61000-6-3 / Immunity EN 61000-6-1							
Standby power:	<0.075W							
IP-degree	IP4X							
Input terminal	2-pins IEC320 C8 connector							
Output terminals:	Cord with/without plug. Exchangeable plugs available.							
Dimensions:	124 × 50 × 37 mm							
Weight:	240g.							

Standard output cordsets

Versions	Part no.	Type	AWG	Length (M)	Notes
5V * 6V * 7,5V	131581	Female conn	16	1.2	EMI core, UL 1185
9V * 12V * 15V 18V * 24V	131514		18		Coax w. EMI core UL 1185

EC Declaration of Conformity



We, the responsible manufacturer;

Company Name:	Mascot Electronics AS		
Postal Address:	P.O.Box 177, N-1601 Fredrikstad, NORWAY		
Visiting Address:	Mosseveien 109, N-1624 Gressvik, NORWAY		
Telephone:	(+47) 69 36 43 00	E-mail: sales@mascot.com	WEB: www.mascot.com

declare that this Declaration is issued under our sole responsibility and belongs to the following product(s):

Product and intended purpose:	Power Supply Unit																								
Brand(s):	and/or MASCOT (may also carry additional customer name, logo or trade mark)																								
Type(s)/Model(s)/UDI-DI:	3721-series (with 2-pins IEC 60320 inlet for exchangeable AC-plugs or detachable mains cord.)																								
Batch / Serial No./UDI-PI:	all CE-marked products produced from the date indicated below (for production date: see marking on the product)																								
Description:	Input: 100-240 VAC 50-60 Hz max. 1.0 A, Class II Output: <table border="0"> <tr> <td>model 3721-50:</td> <td>5.0 VDC,</td> <td>max. 5 A, max. 25 W</td> </tr> <tr> <td>model 3721-60:</td> <td>5.1 - 6.0 VDC,</td> <td>max. 4.17 A, max. 25 W</td> </tr> <tr> <td>model 3721-75:</td> <td>6.1 - 7.9 VDC,</td> <td>max. 4 A, max. 30 W</td> </tr> <tr> <td>model 3721-90:</td> <td>8 - 11.9 VDC,</td> <td>max. 4.6 A, max. 42 W</td> </tr> <tr> <td>model 3721-12:</td> <td>12 - 14.9 VDC,</td> <td>max. 3.5 A, max. 42 W</td> </tr> <tr> <td>model 3721-15:</td> <td>15 - 16.9 VDC,</td> <td>max. 2.8 A, max. 42 W</td> </tr> <tr> <td>model 3721-18:</td> <td>17 - 19.9 VDC,</td> <td>max. 2.33 A, max. 42 W</td> </tr> <tr> <td>model 3721-24:</td> <td>20 - 29.9 VDC,</td> <td>max. 1.75 A, max. 42 W</td> </tr> </table>	model 3721-50:	5.0 VDC,	max. 5 A, max. 25 W	model 3721-60:	5.1 - 6.0 VDC,	max. 4.17 A, max. 25 W	model 3721-75:	6.1 - 7.9 VDC,	max. 4 A, max. 30 W	model 3721-90:	8 - 11.9 VDC,	max. 4.6 A, max. 42 W	model 3721-12:	12 - 14.9 VDC,	max. 3.5 A, max. 42 W	model 3721-15:	15 - 16.9 VDC,	max. 2.8 A, max. 42 W	model 3721-18:	17 - 19.9 VDC,	max. 2.33 A, max. 42 W	model 3721-24:	20 - 29.9 VDC,	max. 1.75 A, max. 42 W
model 3721-50:	5.0 VDC,	max. 5 A, max. 25 W																							
model 3721-60:	5.1 - 6.0 VDC,	max. 4.17 A, max. 25 W																							
model 3721-75:	6.1 - 7.9 VDC,	max. 4 A, max. 30 W																							
model 3721-90:	8 - 11.9 VDC,	max. 4.6 A, max. 42 W																							
model 3721-12:	12 - 14.9 VDC,	max. 3.5 A, max. 42 W																							
model 3721-15:	15 - 16.9 VDC,	max. 2.8 A, max. 42 W																							
model 3721-18:	17 - 19.9 VDC,	max. 2.33 A, max. 42 W																							
model 3721-24:	20 - 29.9 VDC,	max. 1.75 A, max. 42 W																							

The product(s) described above are in conformity with the relevant European Union harmonisation legislation:

2014/35/EU	EU Directive - Safety of electrical equipment ("Low-Voltage Directive") (LVD) recast, repealing Directives 2006/95/EC & 73/23/EEC
2014/30/EU	EU Directive - Electromagnetic Compatibility (EMC) recast, repealing Directives 2004/108/EC & 89/336/EEC
93/42/EEC	EU Directive - General Medical Devices (MDD), Risk Class I Device will from 05.05.2020 be repealed by Regulation (EU) 2017/745
2009/125/EC	EU Directive - Energy Related Products, Ecodesign (ERP) recast, repealing Directive 2005/32/EC (EUP)
2015/863/EU	EU Directive - Restriction on use of Hazardous Substances in EEE ("RoHS3") recast, repealing Directives 2002/95/EC, 2008/35/EC & 2011/65/EU

The following harmonised standards and technical specifications have been applied:

(International editions and comments indicated in brackets)

Electrical Safety (to LVD- & MDD-Directives):

EN 60950-1	EN 60950-1:2006 + /A1:2010, + /A11:2009, + /AC:2011, + /A12:2011 + /A2:2013 (IEC 60950-1:2005 modified + /A1:2009 modified + /A2:2013 modified, Edition 2.2) (will from 20.06.2019 be replaced by standard EN 62368-1:2014 + /AC:2015, Edition 2.0 (IEC 62368-1:2014, Edition 2.0)	IT-equipment (ITE), Edition 2.2
EN 60601-1	EN 60601-1:2006 + /AC:2010 + /A1:2013 (IEC 60601-1:2005 + /A1:2012)	Medical electrical equipment, Edition 3.1

Electromagnetic Compatibility (to EMC- & MDD-Directives):

EN 61000-6-1	EN 61000-6-1:2007 (IEC 61000-6-1:2005, Edition 2.0) (also IEC 61000-6-1:2016, Edition 3.0, not yet an EN-norm)	Immunity-residential, comm. & light-industrial environment, Edition 2.0
EN 61000-6-3	EN 61000-6-3:2007 + /A1:2011 & /AC:2012 (IEC 61000-6-3:2007 + /A1:2010)	Emission-residential, comm. & light-industrial environment, Edition 2.1
EN 55022	EN 55022:2010 + /AC:2011 (CISPR 22:2008 modified, Edition 6.0)(Note: CISPR 22 is now replaced by CISPR 32:2012)	Emission-IT-Equipment, Edition 6.0

EC Declaration of Conformity



EN 55024	EN 55024:2010 (CISPR 24:2010, Edition 2.0) (also CISPR 24:2010 + /Corr.1:2011 + /A1:2015, Edition 2.1, but not yet an EN-norm)	Immunity-IT-Equipment, Edition 2.0
EN 55032	EN 55032:2012 + /AC:2013 (CISPR 32:2012 + /Corr.1:2012 + /Corr 2:2012, Edition 1.0) (also CISPR 32:2015, Edition 2.0, but not yet an EN-norm)	Emission-Multimedia Equipment, Edition 1.0
EN 60601-1-2	EN 60601-1-2:2007 from 31/12/2018: EN 60601-1-2:2015 (IEC 60601-1-2:2007 modified, Edition 3.0)(Note: for IEC: Edition 3.0 is replaced by IEC 60601-1-2:2014, Edition 4.0)	Medical equipment, EMC - Requirements and tests, Edition 3.0 Medical equipment, EMC - Requirements and tests, Edition 4.0

Ecodesign (to ERP-Directive):

Commission Regulation (EC) No 278/2009	implementing Directive 2005/32/EC with regard to eco-design requirements for no-load condition electric power consumption and average active efficiency of external power supplies
--	--

The Product is also in Compliance with other Ecodesign requirements:

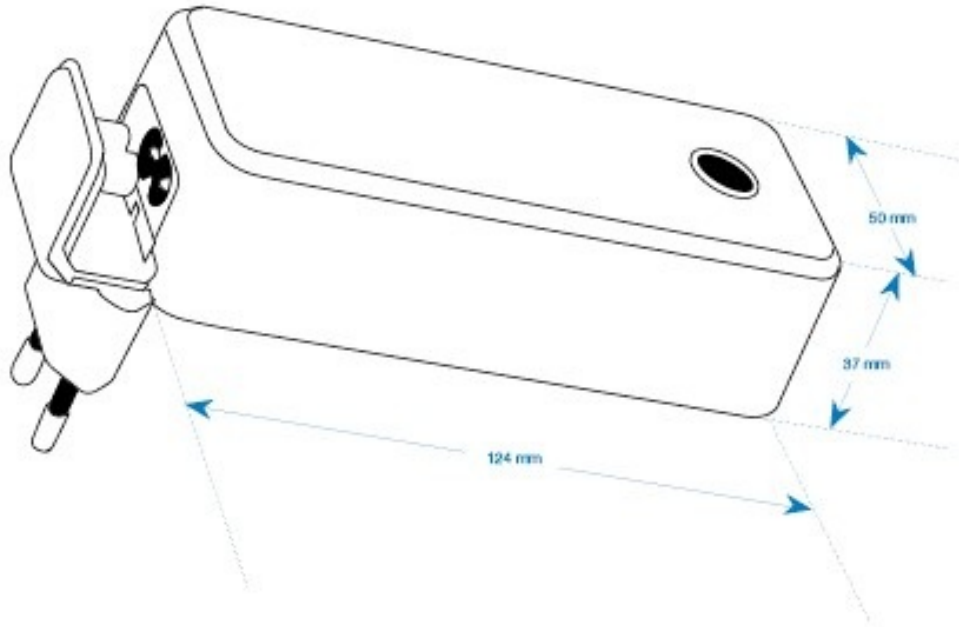
EC Code of Conduct On Energy Efficiency of external Power Supplies version 5, Tier 2
US Code of Federal Regulations, Title 10, Chapter II, Subchapter D, Part 430, Energy Conservation Program for Consumer Products
International Efficiency Marking Protocol for External Power Supplies (v3.0 September 2013, doc. ref. EERE-2008-BT-STD-0005-0218), Level VI

Additional Information:

Compliance with harmonised standards and technical specifications may have been verified by the manufacturer, by third party testing or by a Certification Body (NCB).		
The output voltage is a fixed voltage within the range indicated above.		
The products are considered Risk Class I devices according to the General Medical Devices Directive.		
The product(s) may be produced at production sites (for specific product: see "Made in"-marking on the product):		
Mascot Electronics AS P.O.Box 177, N-1601 Fredrikstad, NORWAY	Mascot Baltic OÜ Taevakivi 15 EE-13619 Tallinn ESTONIA	Mascot Power Supplies (Ningbo) Co.,Ltd No.128 Jinchuan Road, Zhenhai Ningbo 315221 CHINA
The production sites are certified to standard EN 29001:2015 (ISO 9001:2015) by:		
Mascot Electronics AS: Kiwa Teknologisk Institutt certificate ref. 044	Mascot Baltic OÜ: Metrosert certificate ref. K-144	Mascot Power Supplies (Ningbo) Co.,Ltd: DNV-GL certificate ref. 179027-2015

The most recent issue of this Declaration is available at www.mascot.com.

Signed on behalf of Mascot Electronics AS		
Fredrikstad, Norway	2018-05-28	 Finn-Erik Wallin, Compliance Manager
Place of issue	Date of issue	Name, function, signature



EXCHANGEABLE AC PLUG ADAPTERS

